

VILPE[®] Intake Vent



The VILPE[®] Intake Vent supply air element is the new ground-breaking member of the VILPE[®] product family. The element provides a rooftop supply air component for ventilation systems. Compatible with Ø 160 mm ventilation ducts.

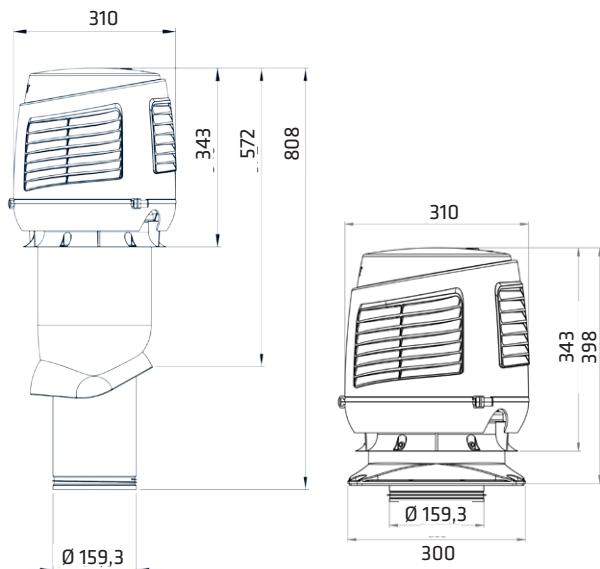
The element includes a new, unique VILPE[®] supply air hood. The hood directs any raindrops away, and the details in the design also ensure minimal pressure loss caused by the hood.

The modern design goes well with the classic VILPE[®] exhaust pipe, but at the same time it functions well and is impressive to look at.

The VILPE[®] Intake Vent supply air pipe P-model is meant to be installed on VILPE[®] pass-throughs.

VILPE[®]-
warranty:
10 year colour
warranty
20 year technical
warranty

Dimensions



Material

VILPE® Intake Vent is manufactured from non-corrosive, weather and shockproof, recyclable and UV-protected polypropylene plastics (PP).

Aerodynamic and flow noise properties

EN 12238:2001 | ISO 5135:1997 | Air density 1.20 kg/m³

Measured performance values

Symbol	Unit	1	2	3	4	5	6	7
Q _{v0}	m ³ /h	269	337	401	482	569	689	836
Q _{vD}	dm ³ /s	74,7	93,5	111,4	134	158	191	232
v	m/s	3,7	4,7	5,5	6,7	7,9	9,5	11,5
P _{H0}	Pa	12,0	18,5	25,7	37,1	50,9	73,9	106
P _{D0}	Pa	20,3	31,5	44,2	63,7	88,0	128	186
ζ ₁₀	-	1,45	1,43	1,40	1,40	1,37	1,36	1,33
ζ ₁₀	-	2,45	2,43	2,40	2,40	2,37	2,36	2,33
L _{W63}	dB	*39,0	*38,0	*39,0	*42,0	*46,0	*48,0	55,0
L _{W25}	dB	*30,5	*33,5	38,0	41,5	45,0	49,5	54,5
L _{W250}	dB	*30,5	37,0	42,0	47,0	48,0	52,0	56,5
L _{W500}	dB	*28,5	*35,5	41,0	46,0	51,5	55,0	58,0
L _{W1000}	dB	*22,5	*29,0	*34,5	40,5	46,0	51,0	56,0
L _{W2000}	dB	*16,5	*18,5	*23,5	32,0	38,0	45,0	52,5
L _{W4000}	dB	*18,5	*18,5	*19,0	*21,5	*27,0	35,0	44,0
L _{W8000}	dB	*24,0	*24,0	*24,0	*24,0	*24,0	*26,0	*32,0
L _W	dB	*40,5	*42,5	*46,5	51,0	55,0	59,0	63,5
L _{WA}	dB(A)	*30,0	*35,5	40,5	46,0	50,5	55,0	60,0

*) The background noise requirements of standard ISO 3741:2010 have not been met.

Data represent upper bounds to the sound power level of the noise source under test.

Package

VILPE® Intake Vent 160P/IS/500

- VILPE® Intake Vent pipe
- Fixing screws

Dimensions of the carton box: 798 x 298 x 365 mm

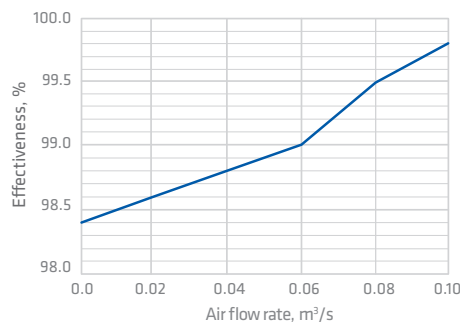
VILPE® Intake Vent 160S + installation set

- VILPE® Intake Vent
- Installation set 300 x 300 mm
- Connection pipe
- Fixing screws

Dimensions of the carton box: 445 x 320 x 330 mm

Rain rejection

EN 13030:2001 | Circumstances: wind 13 m/s, rain 75 (l/m²)/h



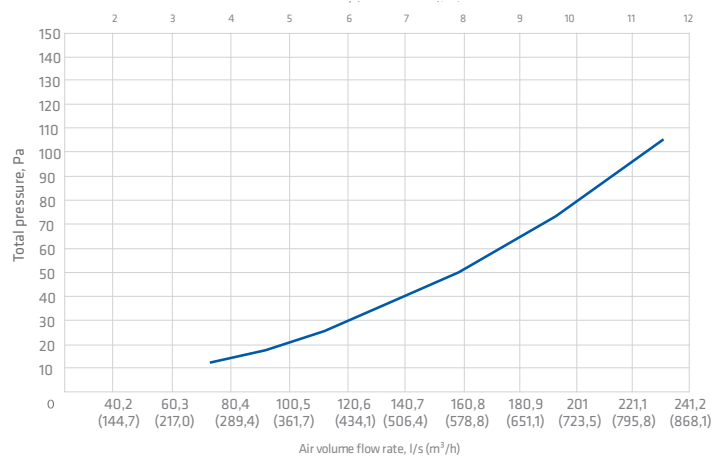
Air flow rate		Performance	
q _v m ³ /s	v m/s	E %	Class
0.00	0.00	98.4	B
0.02	1.00	98.6	B
0.04	2.00	98.8	B
0.06	3.00	99.0	A
0.08	4.00	99.5	A
0.10	5.00	99.8	A

Symbols and units

q_v Air flow rate, m³/s
v Core velocity, m/s
E Effectiveness, %

Aerodynamic properties

EN 12238:2001 | ISO 5135:1997 | Air density: 1.20 kg/m³



Product numbers

REFERENCE COLOUR	NAME	PRODUCT NUMBER	NAME	PRODUCT NUMBER
● black, RAL 9017 (dE 1,17)	VILPE® 160P/IS/500 Intake vent pipe	741882	VILPE® 160S Intake vent	741892
● brown, RAL 8017 (dE 2,33)		741884		741894
● green, RAL 6020 (dE 1,91)		741886		741896
● grey, RAL 7015 (dE 2,11)		741887		741897
● red, RAL 3009 (dE 4,92)		741888		741898
● brick red, RAL 8004 (dE 2,08)		741889		741899
● light grey, RAL 7040 (dE 0,54)		741881		741891

VILPE® Intake Vent has been designed and manufactured in Finland, with Nordic conditions in mind.

› VILPE.COM

SK Tuote Oy
Kauppatie 9,
FI-65610 Mustasaari FINLAND

Sales and technical support
Tel. +358 20 123 3222
sales@vilpe.com

VILPE®
Innovative and Easy